

FURUNO

12.1" Color LCD Marine Radar

Model

FR-8065/8125/8255

(6 kW)

(12 kW)

(25 kW)

Furuno's advanced DSP technology brings a new level of performance to marine radar

DSP: Digital Signal Processing



Auto Tuning



AIS



Target Tracking



Enhanced Sunlight Viewable



UHD
Ultra High Definition

www.furuno.com

12.1" Color LCD Marine Radar
Model FR-8065/8125/8255

FURUNO

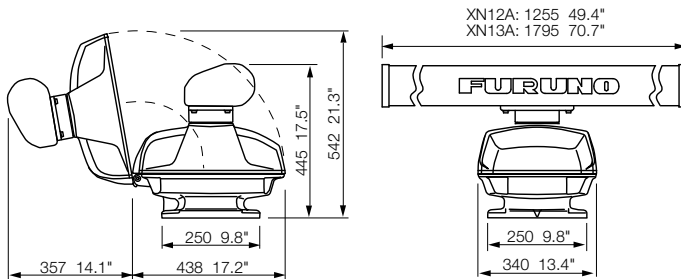
SPECIFICATIONS	FR-8065 (6 kW)	FR-8125 (12 kW)	FR-8255 (25 kW)
GENERAL			
Maximum Range Scale	72 NM	72 NM	96 NM
Range discrimination		25 m	
Bearing discrimination		XN12A: 1.9° XN13A: 1.2°	
Minimum Detection Range		25 m	
ANTENNA			
Length		4 ft (XN12A) or 6 ft (XN13A)*	
Rotation Speed		24 rpm or 48 rpm*	
Wind Load		24 rpm: 100 kn 48 rpm: 70 kn	
Beamwidth (Horizontal)		XN12A: 1.9° XN13A: 1.35°	
Beamwidth (Vertical)		22°	
RF TRANSCEIVER			
Frequency		9410±30 MHz (X-band)	
Output Power	6 kW	12 kW	25 kW
DISPLAY			
Screen Size		12.1 inch color LCD	
Pixel Number		800 (V) x 600 (H) pixels (SVGA)	
POWER SUPPLY			
Power Supply		24 VDC	
Power Consumption	24 rpm: 86.4 W 48 rpm: 93.6 W	24 rpm: 93.6 W 48 rpm: 108 W	24 rpm: 127.2 W 48 rpm: 136.8 W
INTERFACE			
Input / Output	Input: NMEA0183 Ver. 1.5/2.0/3.0/4.0, AD-10 format Output: NMEA0183 Ver. 1.5/2.0/3.0/4.0, contact signal		
ENVIRONMENT			
Temperature	Antenna Unit: -25 °C to +55 °C Display Unit: -15 °C to +55 °C		
Waterproofing	Antenna Unit: IP26 Display Unit: IP55 (front) IP22 (rear)		
EQUIPMENT LIST			
Standard	Display Unit, Antenna Unit, Power Supply Unit (for FR-8255 only), Installation materials and spare parts		
Option	Auto Plotter Kit ARP-11, External Alarm Buzzer OP03-21, Cable assy., Flush Mount Kit		

*Specify the antenna length and rotation speed when ordering.

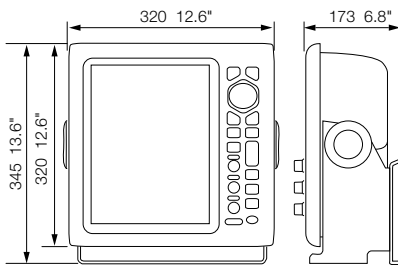
DIMENSIONS

Antenna Unit

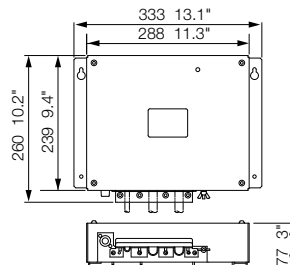
XN12A: 25 kg 55.1 lb
 XN13A: 27 kg 59.5 lb



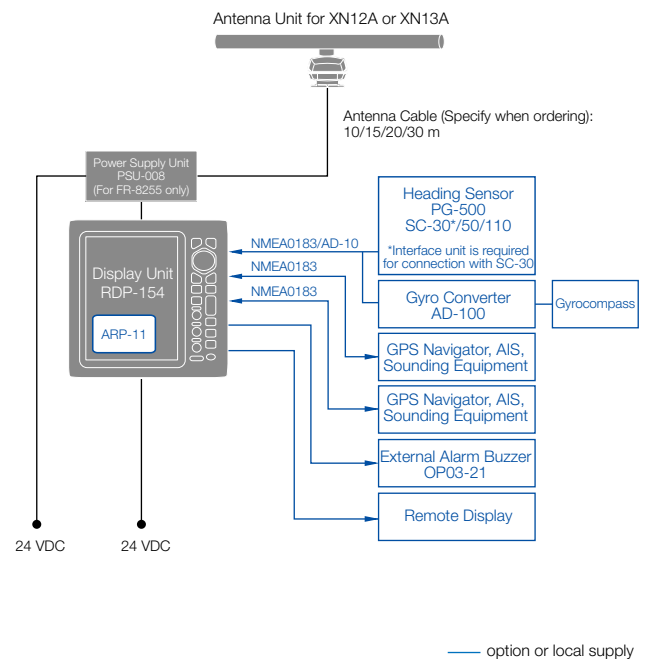
Display Unit RDP-154 5.8 kg 12.8 lb



Power Supply Unit PSU-008 2.7 kg 6 lb



INTERCONNECTION DIAGRAM



All brand and product names are registered trademarks, trademarks or service marks of their respective holders.

SPECIFICATIONS SUBJECT TO CHANGE WITHOUT NOTICE
 PLEASE READ MANUAL BEFORE USING THE UNIT

FURUNO ELECTRIC CO., LTD.
 Nishinomiya, Hyogo, Japan
www.furuno.com

FURUNO U.S.A., INC.
 Camas, Washington, U.S.A.
www.furunousa.com

FURUNO NORGE A/S
 Ålesund, Norway
www.furuno.no

FURUNO (UK) LIMITED
 Havant, Hampshire, U.K.
www.furuno.co.uk

FURUNO DANMARK A/S
 Hvidovre, Denmark
www.furuno.dk

FURUNO SVERIGE AB
 Västra Frölunda, Sweden
www.furuno.se

FURUNO FRANCE S.A.S.
 Bordeaux-Mérignac, France
www.furuno.fr

FURUNO ITALIA S.r.l.
 Genoa, Italy

FURUNO ESPAÑA S.A.
 Madrid, Spain
www.furuno.es

FURUNO FINLAND OY
 Espoo, Finland
www.furuno.fi

FURUNO POLSKA Sp. z o.o.
 Gdynia, Poland
www.furuno.pl

FURUNO EURUS LLC
 St. Petersburg, Russian Federation
www.furuno.com.ru

FURUNO DEUTSCHLAND GmbH
 Rellingen, Germany
www.furuno.de

FURUNO HELLAS S.A.
 Glyfada, Greece
www.furuno.gr

FURUNO (CYPRUS) LTD
 Limassol, Cyprus
www.furuno.com.cy

FURUNO SHANGHAI CO., LTD.
 Shanghai, China
www.furuno.com/cn

RICO (PTE) LTD
 Singapore
www.rico.com.sg

1401PDF
 Catalogue No. R-205a

